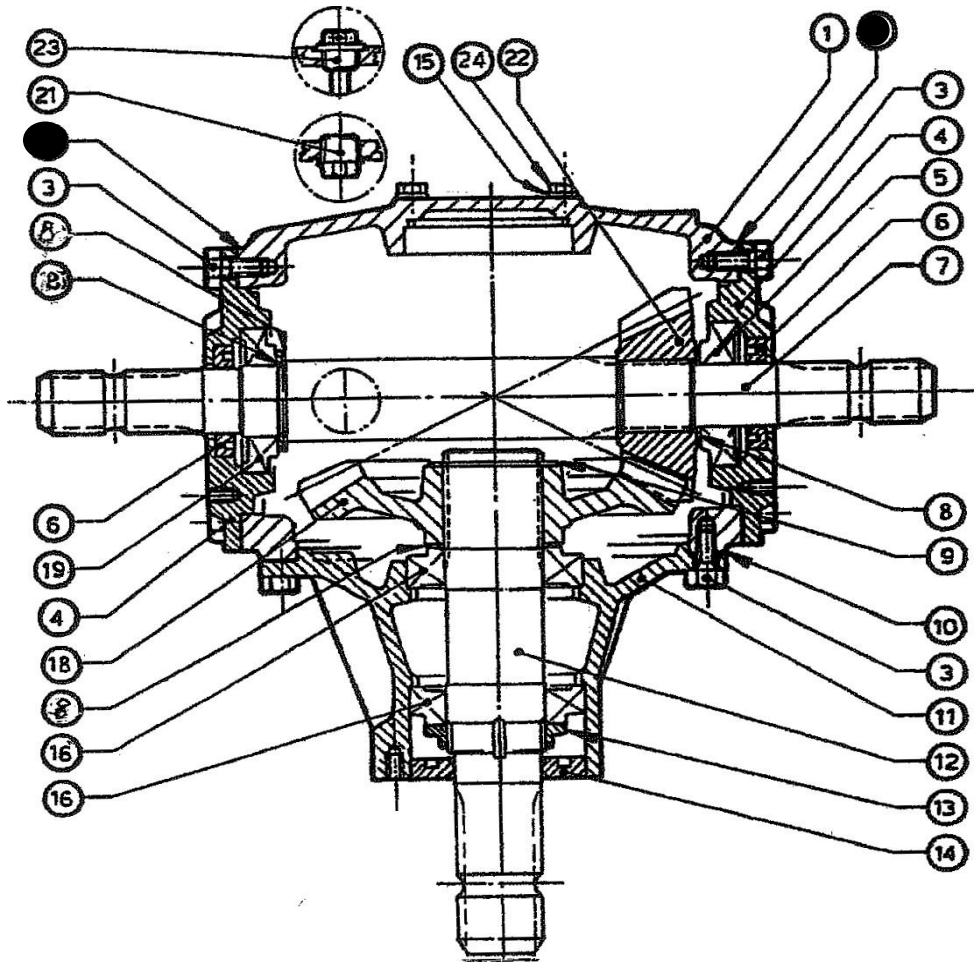
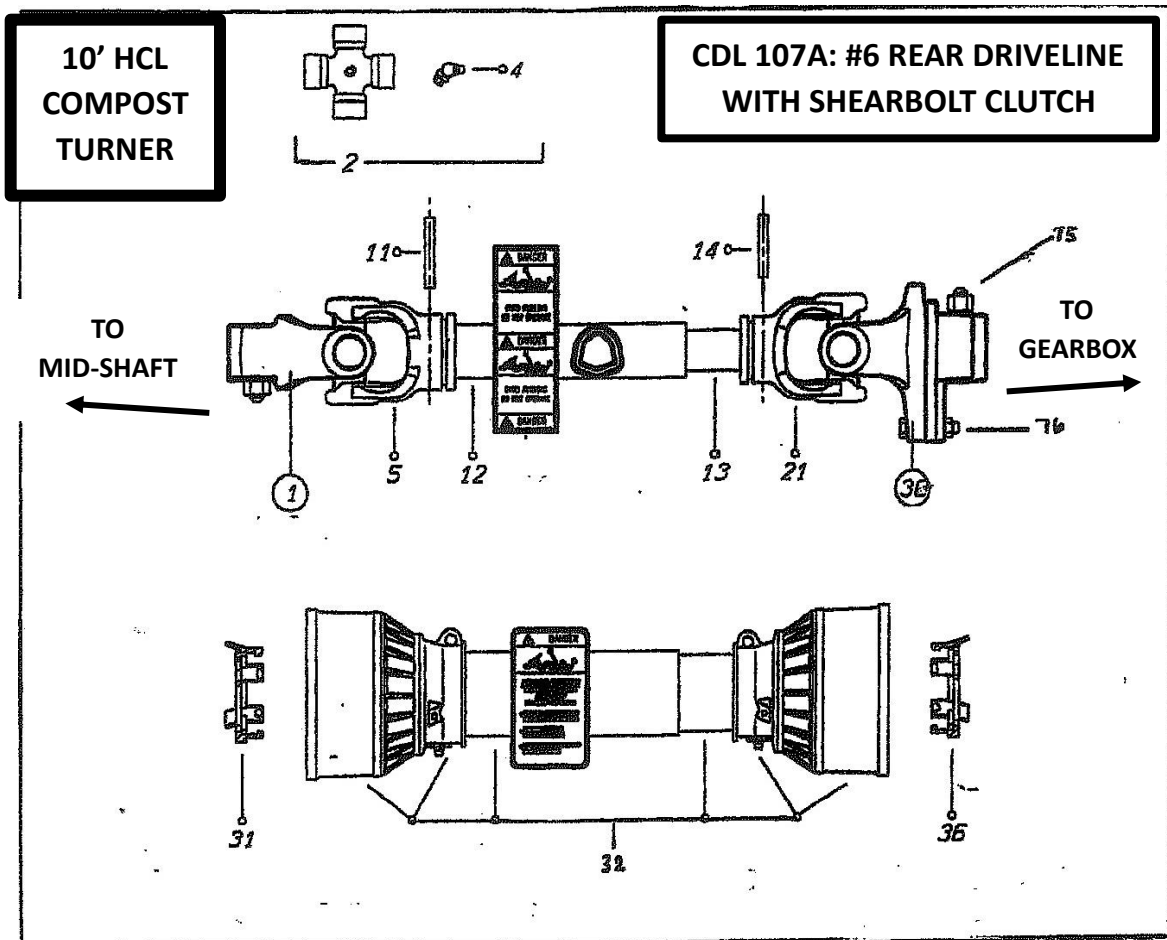


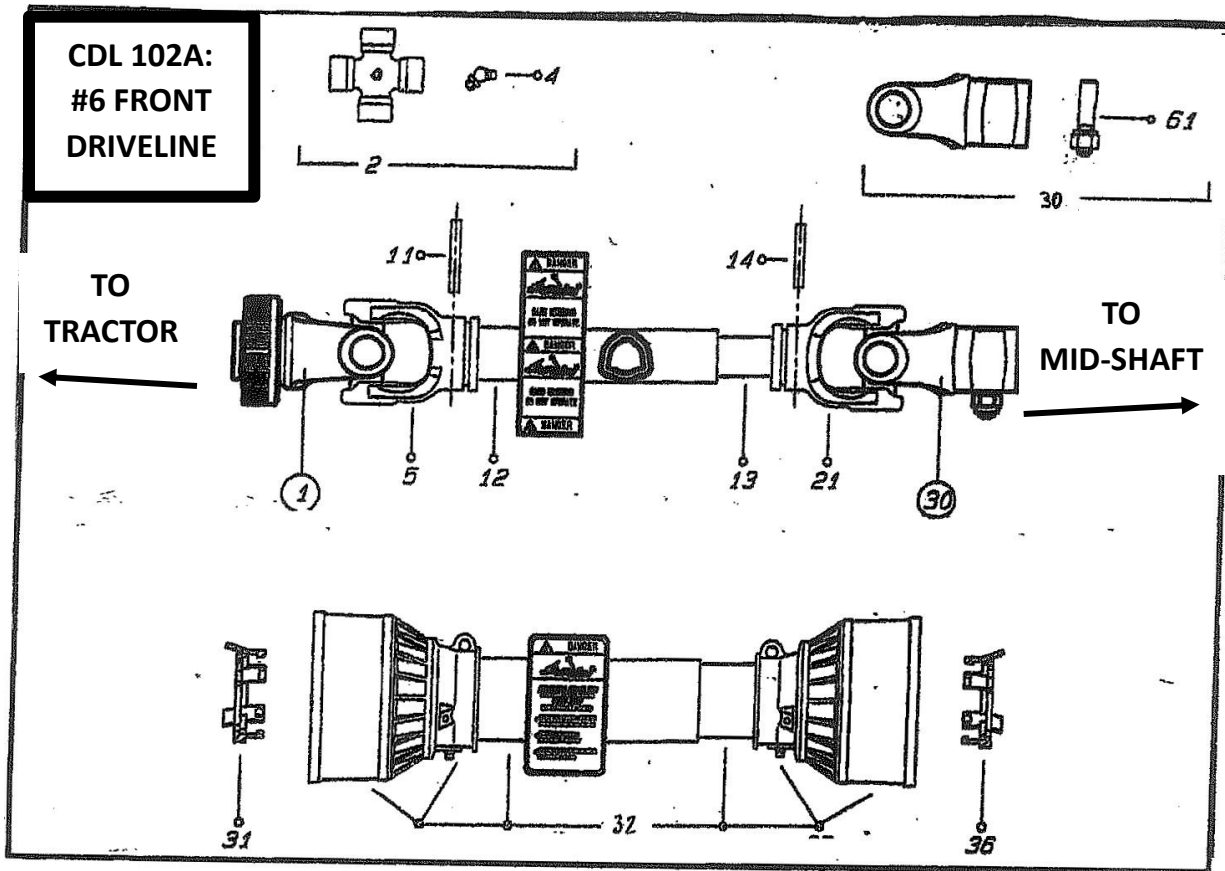
10' HCL COMPOST TURNER GEARBOX PARTS BREAKDOWN CGB100A (COMPLETE GEARBOX)



REF#	QTY	HCL PART # DESCRIPTION	REF#	QTY	HCL PART # DESCRIPTION
3	24	CGB103 METRIC BOLT			
5	1	CGB BEARING	18	1	CGB118A CROWN GEAR, 31 TEETH FITS CGB 100A, CT381 & ABOVE
6	2	CGB106 OIL SEAL			
7	1	CGB107 SHAFT 1-3/8"	19	1	CGB 119 BEARING
8	1	CGB130 SHIM KIT	21	1	CGB 121 PLUG
9	1	CGB109 SNAP RING			
10		CGB110 GASKET			
12	1	CGB112 SHAFT 1-3/4"	22	1	CGB 122A PINION GEAR, 19 TEETH FITS CGB 100A, SIN'S CT381 & ABOVE
13	1	CGB113 NUT			
14		CGB114 OIL SEAL	23	1	CGB 123 OIL FILTER PLUG
15	2	CGB115 COPPER WASHER	24	2	CGB 124 BOLT
16	2	CGB116 BEARING			



REF#	PART#	QTY	DESCRIPTION
1	CDL 104	1	YOKE 1 3/4-20 SPLINE
2	CDL 109	2	#6 CROSS
4	CDL 110	2	GREASE FITTING FOR CROSS 45 METRIC
5	CDL 120	1	TUBE YOKE (OUTER)
11	CDL 119	1	ROLL PIN FOR OUTER YOKE
12	CDL 117	1	OUTER TUBE SHAFT
13	CDL 116	1	INNER TUBE SHAFT
14	CDL 118	1	ROLL PIN FOR INNER YOKE
21	CDL 121	1	TUBE YOKE (INNER)
30	CDL 123	1	#6 SHEARBOLT CLUTCH
31	CDL 115	1	OUTER BEARING SHIELD SUPPORT
75	CDL 103.9	1	SMALL TAPERED PIN KIT(1 3/8-6 SPLINE YOKE/CLUTCH)
32	CDL 122	1	INNER & OUTER SHIELD ASSEMBLY
36	CDL 114	1	INNER BEARING SHIELD SUPPORT
76	CDL 124	1	METRIC SHEAR BOLT W/NYLOCK NUT



REF#	PART#	QTY	DESCRIPTION
1	CDL 106	1	YOKE 1 3/8-6 SPLINE
2	CDL 109	2	#6 CROSS
4	CDL 110	2	GREASE FITTING FOR CROSS 45 METRIC
5	CDL 120	1	OUTER TUBE YOKE
11	CDL 119	1	ROLL PIN FOR OUTER YOKE
12	CDL 117	1	OUTER TUBE SHAFT
13	CDL 116	1	INNER TUBE SHAFT
14	CDL 118	1	ROLL PIN FOR INNER YOKE
21	CDL 121	1	INNER TUBE YOKE
30	CDL 104	1	YOKE 1 3/4-20 SPLINE
61	CDL 105	1	TAPERED PIN KIT FOR YOKE 1 3/4-20 SPLINE
31	CDL 115	1	OUTER BEARING SHIELD SUPPORT
36	CDL 114	1	INNER BEARING SHIELD SUPPORT
32	CDL 122	1	INNER & OUTER SHIELD ASSEMBLY